

CL Pro Series

The All-in-One Commercial Display for Digital Signage and Meeting Rooms

With built-in digital signage for seamless content management and real-time alerts, and screen-sharing capabilities for enhanced meeting collaboration, the CL Pro Series is the ultimate all-in-one display solution.

Available in a range of sizes

43" 4k | 55" 4k | 65" 4k | 75" 4k | 85" 4k | 98"4k

**Slimline bezel
from 9.9mm**

**eight
group**

**Believe
you can
and you're
halfway
there ●**

1st April 2021

**Screen
Sustainability
Scheduling**

for reduced power
consumption

FUTURISTIC

**INSPIRE
NEW
CHANGES.**

As we look towards the future of marketing in 2025, it's clear that digital innovation will continue to reshape the landscape in profound ways. From AI-driven personalization to immersive VR experiences and the evolution of social media, marketers will have an array of powerful new tools at their disposal.

11 01

**COMING
SOON**

**Dual Display
Orientation**

in both landscape and
portrait to suit your needs.

**1-year MDM*
included**

Remote access to
manage, view and
support your display
for the ultimate in
control and flexibility.

CLEVER® LIVE

Embedded Digital Signage, subscription free.

Create your account today at cleverlive.com

CLEVERSHARE®

Connect and share any device
in an instant with the free to
download CleverShare App.

Key Features



Ultra HD
Resolution



Vibrant Picture
Quality



16/7 Operation



QR Code
interactive
functionality



One Touch
Messaging &
Broadcasting



Screen
Sustainability
Scheduling
Power
Management



Screen share up
to 9



Control
Integration



Capable of full,
multi zoned
digital signage,
no additional
media player
required.



Android
Technology

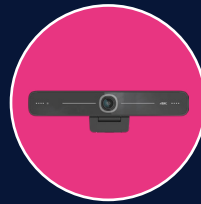


MDM Built-in
Management
Control



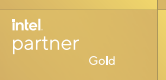
OTA Updates &
Cloud Accounts

Upgrade your solution



Add an **OPS** or **Video Conferencing Bar** to create a Microsoft Teams Room or Zoom Room environment.
*OPS not applicable with CL Pro 43" and 55"

partnered with



CL Pro Series Specifications

Display

Screen size	43" 4K, 55" 4K, 65" 4K, 75" 4K, 86" 4K, 98" 4K
Screen type	43": VA - Direct LED Backlight 55": VA - Direct LED Backlight 65": ADS - Direct LED Backlight 75": ADS - Direct LED Backlight 86": ADS - Direct LED Backlight 98": ADS - Direct LED Backlight
Aspect Ratio	16:9
Display Colours	1.07 Billion (10 bit)
Resolution	4K UHD (3840x2160 @60Hz)
Response Time	43": 6.5ms 55": 6.5ms 65": 8ms 75": 8ms 86": 8ms 98": 8ms
Refresh Rate	60Hz
LCD Viewing Angle	178°
Brightness	43": 450 cd/m2 55": 450 cd/m2 65": 450 cd/m2 75": 450 cd/m2 86": 450 cd/m2 98": 500 cd/m2
Contrast Ratio	43": 5000:1 55": 4000:1 65": 1200:1 75": 1200:1 86": 1200:1 98": 1200:1
DC Dimming (for Flicker Free)	Yes
Main Board	982
Life of Screen	50,000 Hours
NTSC	72%

Connectivity

OPS Slot	43": No 55": No 65": Yes 75": Yes 86": Yes 98": Yes
HDMI-In	43": 2 55": 2 65": 3 75": 3 86": 3 98": 3
HDMI-Out	x1
USB-A 2.0	x1
USB A 3.0 (faster data transfer)	x1
USB C (Video, Audio & Touch)	1 x USB Side Type C with video, audio, 65W PD and network sharing
LAN In (RJ45)	x1
LAN OUT	43": No 55": No 65": Yes 75": Yes 86": Yes 98": Yes
RS-232	x1
Wake-on-Lan	Yes
WirelessAdapter 2.0 + WAP	Yes
Clevertouch WiFi Module	Yes
Bluetooth	5.0

Optical Out	x1
Headphone	1(3.5mm)
Gyroscope	Yes
Auto-rotate	Yes
WiFi	IEEE 802.11a/b/g/n/ac/ax with 2 x 2 MIMO (hotspot only) (both 2.4 and 5 GHz bands)
WiFi Generation	WiFi 6
WiFi Speed	Capable of speeds up to 1Gbps

Computing

Operating System	Android 11
System Version	LUX 11
RAM	4GB
Internal Storage	32GB
CPU	Quad Core A55
GPU	Mali G52 MP2
Android Resolution	4K
System Architecture	32B

Audio

Dual Front Facing, Bass Enhanced Speakers	2 x 16W
SPDIF / Fibre	Yes
Sound Channel	2.0

Power

Power Requirements	43": 100-240V~ 50/60Hz 2.5A 55": 100-240V~ 50/60Hz 3.0A 65": 100-240V~ 50/60Hz 3.5A 75": 100-240V~ 50/60Hz 4.5A 86": 100-240V~ 50/60Hz 5.0A 98": 100-240V~ 50/60Hz 5.5A
Power Consumption (Normal)	43": 110W 55": 150W 65": 165W 75": 235W 86": 335W 98": 340W
Power Consumption (Standby)	≤0.5W
Ultra Quiet Fanless Design	Yes

Operating and Storage Environment

Operating Temperature	0° to 40°
Storage Temperature	-20° to 60°
Operating Humidity	10% to 90% RH
Storage Humidity	10% to 90% RH
Altitude	Below 5000 metres

CL Pro Series Specifications

Physical Spec

Panel Dimensions	43": 964.6 x 552.5 x 71.4mm 55": 1233 x 703.5 x 71.4mm 65": 1463.3 x 838.3 x 76.4mm 75": 1685.6 x 963.7 x 81.6mm 86": 1930.8 x 1101.8 x 81.6mm 98": 2212.9 x 1268.4 x 79.4mm
Packed Dimensions	43": 1056 x 156 x 672mm 55": 1332 x 156 x 819mm 65": 1628 x 208 x 942mm 75": 1863 x 225 x 1090mm 98": 2360 x 280 x 1425mm 86": 2110 x 225 x 1227mm
Bezel Sizes	43": 9.9mm 55": 9.9mm 65": 15.9mm 75": 15.9mm 86": 15.9mm 98": 25mm
Net Weight	43": 9.90kg 55": 13.40kg 65": 25.4kg 75": 34.65kg 86": 43.15kg 98": 69.90kg
Packed Weight	43": 13.85kg 55": 19.50kg 65": 33.25kg 75": 48.15kg 86": 60.75kg 98": 90.80kg
VESA Mount Point	43": 200 x 200mm 55": 400 x 200mm 65": 600 x 400mm 75": 800 x 600mm 86": 800 x 600mm 98": 800 x 600mm
Screws for VESA	43": M6 x 12mm 55": M6 x 12mm 65": M8 x 25mm 75": M8 x 25mm 86": M8 x 25mm 98": M8 x 25mm

Installation

The installation of this product should be completed by a qualified installer. Use of components not supplied by Clevertouch or not meeting minimum specifications may impact performance, safety and warranty. For more information, visit clevertouch.com

Support

For all Clevertouch products, visit: support.clevertouch.com

Statement

Size and weight vary by configuration and manufacturing process, please refer to the actual product. The product images are for illustrative purposes only and may slightly differ in appearance, colour, size, etc. from the actual product. The description, illustrations, etc. in this document may subject to change in accordance with the latest product specification and performance. Should the above-mentioned change in the document become necessary, the document may be updated without written notice.

Inside your Clevertouch Box

What's In The Box	(1) CL Pro Series Commercial Display (1) Regional Power Cable (1) HDMI Cable (1) Remote Control (1) Batteries for Remote Control (1) Clevertouch WiFi Module (1) Quick Install Guide
--------------------------	--

Warranty

Warranty term and upgrade options vary by region. Contact your local reseller or distributor for information and visit clevertouch.com/about/warranty

Compliance & Certification

Regulatory Certification	CE, CB, FCC, IC (EMC), SANS 62087, Energy Star, ERP (Ecodesign), EEI
---------------------------------	--

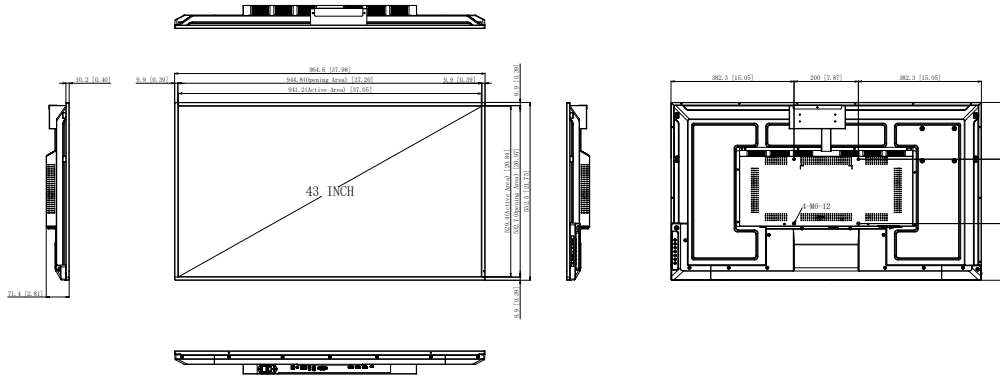


Software & Features

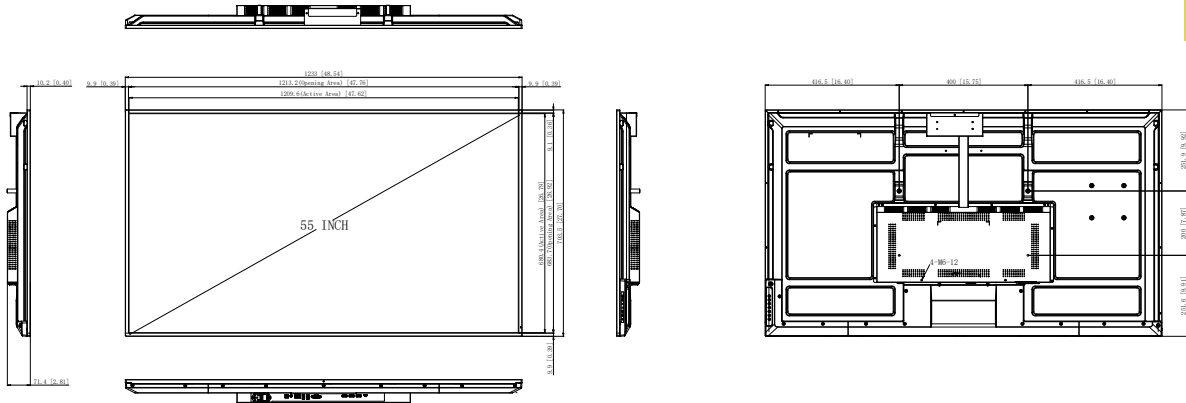
OpenSDK Support	Yes
Intelligent O&M	Yes
H.264 + H.265	Yes
HD Hardware Encoding and Decoding	Yes
CleverLive™ Embedded Digital Signage	Yes
Clevershare™ Mirroring Any Device To The Board	Yes
Miracast (WiFi Direct)	Yes
AirPlay	Yes
Chromecast	Yes
CleverLive Rooms™ Embedded Room Booking	Yes
Alerts and Announcements	Yes
Over-the-Air Updates	Yes
Remote Management Of Touchscreens (MDM)	Yes

CL Pro Specifications

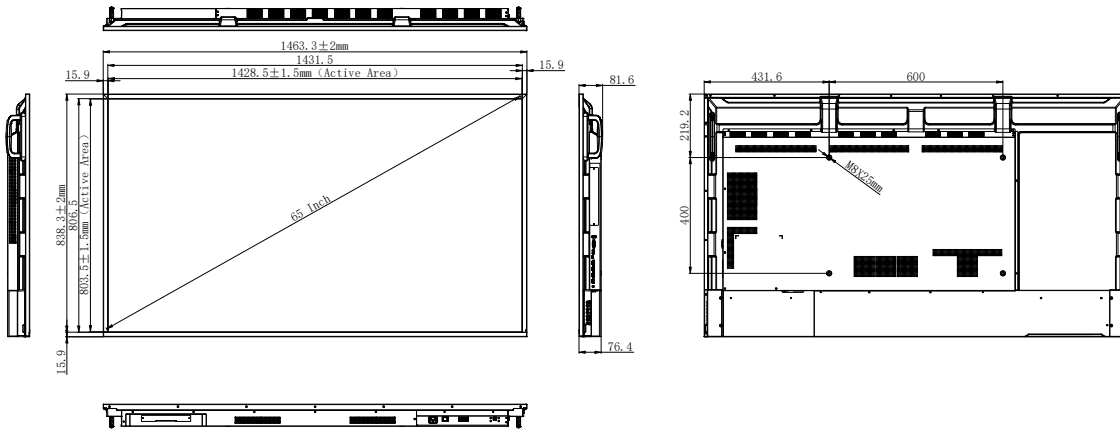
43"



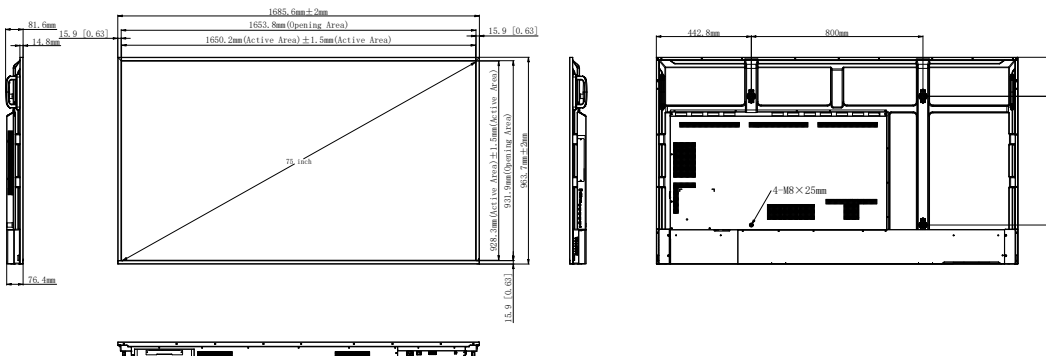
55"



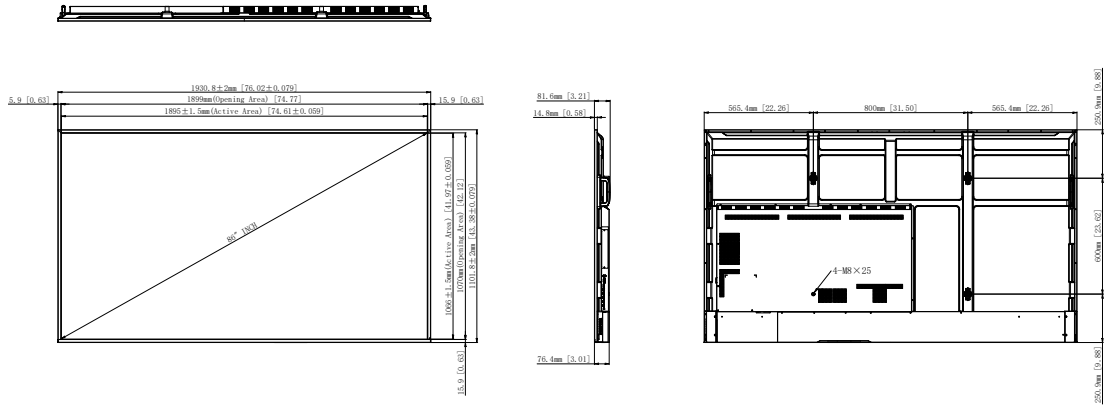
65"



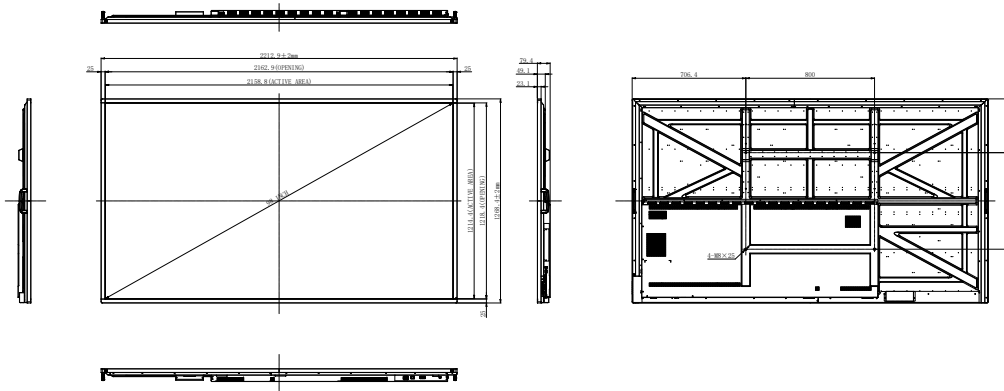
75"



CL Pro Specifications



86"



98"