

## INTERACTIVE TOUCH SCREEN TROLLEY

Part of **B-Tech's Momentum Range** of mobile display solutions, the **BT8545** Momentum Edge is a modern, robust and simple to use flat screen trolley that is designed to mount displays and interactive touchscreens from 55" to 86". Braked castors with smooth and safe mobility and a rigid design allows users to effortlessly move displays of up to 100kg around the room when needed, whilst ensuring touchscreen users encounter no unintended movement when pressing against the screen. Displays can be mounted at a variety of different set height positions and an AV equipment shelf that can also be used as an aesthetic blanking panel, is included as standard, making the BT8545 perform exceptionally in a variety of uses, giving both installer and end user a truly flexible mobile mounting solution.

### SPECIFICATIONS

Recommended screen size	<b>55" up to 86"</b>
VESA® fixings	up to <b>800 x 600</b>
Max load (Screen)	<b>100kg</b>
Max load (Shelf)	<b>5kg</b>
Trolley Dimensions	W: <b>1050mm</b> H: <b>1428-1722mm</b> D: <b>882mm</b>
Shelf Dimensions	W: <b>950mm</b> D: <b>210mm</b>



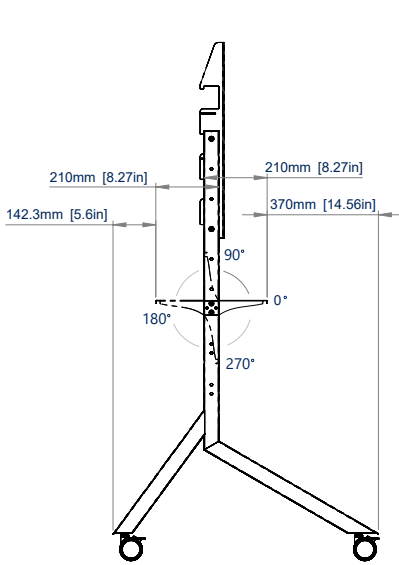
### FEATURES

- 1** Rigid steel construction eliminates unwanted movement when pressing against large touchscreens
- 2** Includes an accessory shelf that fits to the front or rear of the trolley
- 3** Shelf can also fit vertically at the front, or serve as a blanking panel when installed vertically at the back
- 4** Non-marking locking / braked castors included
  - Offers six height options for mounting the screen and three for the shelf
  - Safety screws help to prevent unauthorised removal of the screen
  - Hook-on install
  - All mounting hardware included

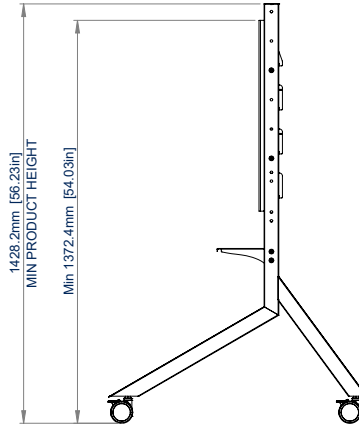


RECOMMENDED MAX SCREEN	MAX LOAD	MAX VESA	QR CODE
86" / 218cm	100kg	800 x 600	

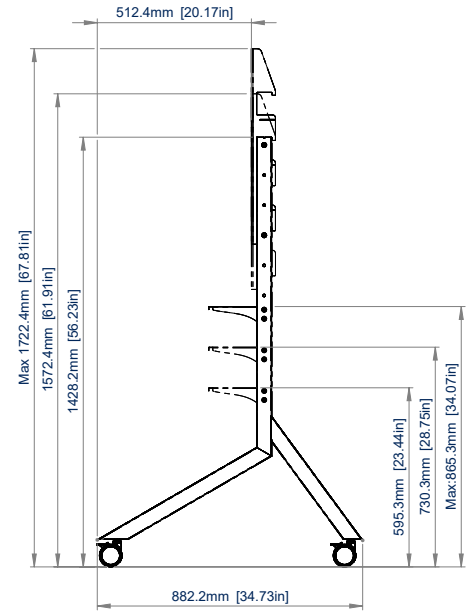




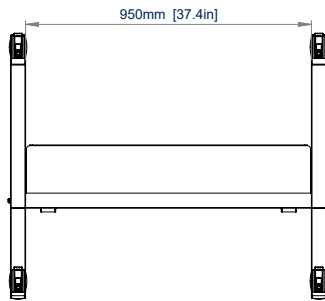
**RIGHT SIDE VIEW**  
MINIMUM HEIGHT



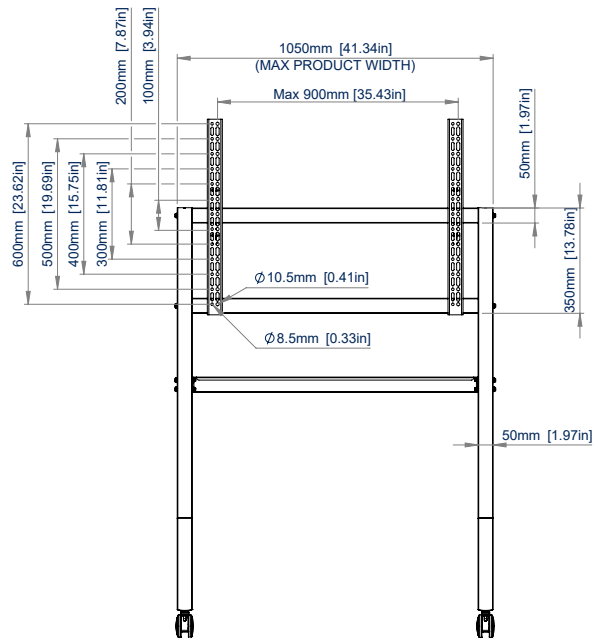
**LEFT SIDE VIEW**  
MINIMUM HEIGHT



**LEFT SIDE VIEW**  
MAXIMUM HEIGHT



**TOP VIEW**



**FRONT VIEW**

**ORDERING INFORMATION**

COLOUR	ORDER REF	EAN
Black	BT8545/B	5019318309076

**RELATED PRODUCTS**

PRODUCT CODE	NAME	DESCRIPTION
BT8546	XL Interactive Touchscreen Trolley	Designed to mount interactive displays up to 110" and 125kg
BT8508	System X Touchscreen XL Trolley	Designed to mount XL interactive displays up to 120" and 200kg
BT8590	XXL Flat Screen Trolley	Designed to mount screens up to 120" and 130kg
BT8568	Motorised Height Adjustable Trolley	Designed to mount screens up to 86" and 100kg

© 2018 B Tech, AV Mounts Corporation Ltd. All rights reserved.  
The information in this specification sheet reflects the current technical specifications as the time of printing.  
We reserve the right to change the technical or physical specifications without prior notice. These specifications are subject to change without notice.  
B Tech AV Mounts Corporation Ltd. is not responsible for any damage or loss of data caused by improper installation or use of the product. Any reproduction or use of this specification sheet is strictly prohibited unless prior written permission is granted by B Tech AV Mounts Corporation Ltd.

SS-V1-BT8545-270924