

ViewSonic LCD DISPLAY VA3820C

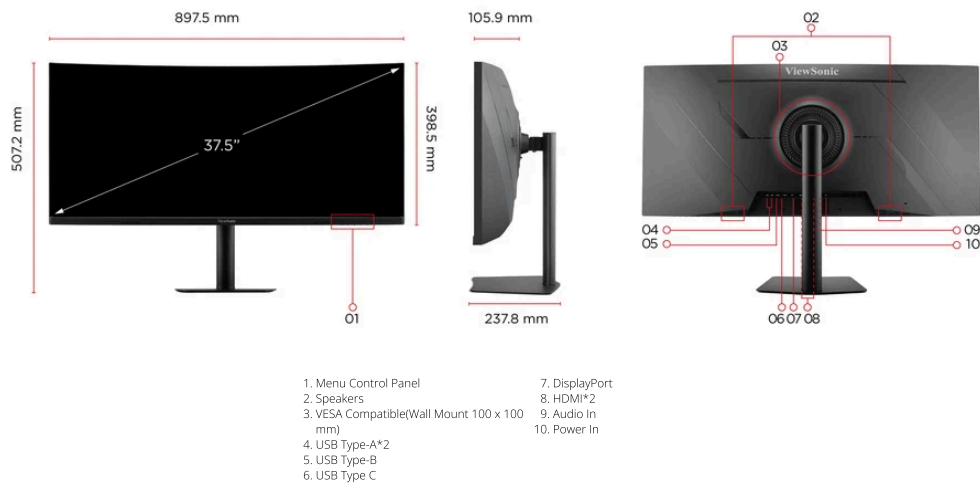
Key Features

- Integrated USBC workstation offers audiovisual and data transfer, and 96W power delivery
- USB 3.2 hub with 1 upstream, 2 downstream ports, HDMI, and DisplayPort inputs for easy connectivity
- 21:9 ultrawide screen with UWQHD+ 3840 x 1600 resolution
- 2300R Curved panel
- Height adjustable swivel stand with tilt function



Product Description

The ViewSonic VA3820C is a 38" UWQHD+ (3840 x 1600) monitor featuring USB 3.0 Hub with 1 upstream, 2 downstream ports, HDMI, and DisplayPort for business and home use. Its 21:9 aspect ratio and 2300R curvature provide an immersive viewing experience. Simplify your work with just one cable that provides audiovisual, data and 96W power transfer. The 75hz refresh rate, Eye ProTech+ technology, and various ViewMode presets cater for optimal screen performance and comfortable viewing without tearing or stuttering. Expand your workspace and experience truly seamless, ergonomic multitasking on just one screen with a VESA-compatible mount at low energy consumption.



Visit Us www.viewsonic.com

DISPLAY

Display Size (in.):	38
Viewable Area (in.):	37.5
Panel Type:	IPS Technology
Resolution:	3840 x 1600
Resolution Type:	WQHD+ (Wide QHD+)
Static Contrast Ratio:	2,000:1 (typ)
Dynamic Contrast Ratio:	50M:1
High Dynamic Range:	HDR10
Light Source:	LED
Brightness:	300 cd/m ² (typ)
Colors:	1.07B
Color Space Support:	10 bit (8 bit + A-FRC)
Aspect Ratio:	21:9
Response Time (GTG w/OD):	4.785ms
Viewing Angles:	178° horizontal, 178° vertical
Backlight Life (Hours):	30000 Hrs (Min)
Curvature:	2300R
Refresh Rate (Hz):	75
Variable Refresh Rate Technology:	Yes
Low Blue Light:	Hardware solution
Flicker-Free:	Yes
Color Gamut:	DCI-P3: 98% size (Typ) NTSC: 95% size (Typ) sRGB: 134% size / 100% coverage (Typ)
Pixel Size:	0.229 mm (H) x 0.229 mm (V)
Surface Treatment:	Anti-Glare, Hard Coating (3H)

COMPATIBILITY

PC Resolution (max):	3840x1600
Mac® Resolution (max):	3840x1600
PC Operating System:	Windows 10/11 certified; macOS tested
Mac® Resolution (min):	3840x1600

CONNECTOR

USB 3.2 Type A Down Stream:	2
USB 3.2 Type B Up Stream:	1
USB 3.2 Type C Up Stream; DisplayPort Alt mode :	1 (96W power charger)
3.5mm Audio Out:	1
HDMI 2.0 (with HDCP 2.2):	2
DisplayPort:	1
Power in:	DC Socket (Center Positive)

AUDIO

Internal Speakers:	2.5Watts x2
--------------------	-------------

POWER

Eco Mode (Conserve):	26W
Eco Mode (optimized):	29W
Consumption (typical):	32W
Consumption (max):	39W
Voltage:	AC 100-240V
Stand-by:	0.5W
Power Supply:	External Power Adaptor

ADDITIONAL HARDWARE

Kensington Lock Slot:	1
-----------------------	---

CONTROLS

Physical Controls:	M, Right, Left, E, Power
On Screen Display:	Input Select, Audio Adjust, ViewMode, Color Adjust, Manual Image Adjust, Setup Menu

OPERATING CONDITIONS

Temperature:	32°F to 104°F (0°C to 40°C)
Humidity (non-condensing):	20% to 90%

WALL MOUNT

VESA Compatible:	100 x 100 mm
------------------	--------------

INPUT SIGNAL

Frequency Horizontal:	HDMI (v2.0): 15 ~ 222KHz, DisplayPort (v1.4): 15 ~ 222KHz, Type C: 15 ~ 222KHz
Frequency Vertical:	HDMI (v2.0): 30 ~ 75Hz, DisplayPort (v1.4): 48 ~ 75Hz, Type C: 48 ~ 75Hz

VIDEO INPUT

Digital Sync:	TMDS - HDMI (v2.0), PCI-E - DisplayPort (v1.4), Micro-Packet - Type C
---------------	---

ERGONOMICS

Height Adjust (mm):	130
Swivel:	60°
Tilt (Forward/Back):	-5° / 15°

WEIGHT (IMPERIAL)

Net (lbs):	20.7
Net Without Stand (lbs):	15.9
Gross (lbs):	29.3

WEIGHT (METRIC)

Net (kg):	9.4
Net Without Stand (kg):	7.2
Gross (kg):	13.3

DIMENSIONS (IMPERIAL) (WXHXD)

Packaging (in.):	45.3 x 20.7 x 7.5
Physical (in.):	35.33 x 14.85~19.96 x 9.36
Physical Without Stand (in.):	35.33 x 15.69 x 4.17

DIMENSIONS (METRIC) (WXHXD)

Packaging (mm):	1150 x 525 x 190
Physical (mm):	897.5 x 377.2~507.2 x 237.8
Physical Without Stand (mm):	897.5 x 398.5 x 105.9

GENERAL

Regulations:	Energy Star, CE, CE EMC, CB, RoHS, ErP, REACH, WEEE, EAC, UkrSEPRO, RCM
PACKAGE CONTENTS:	VA3820C x1, 3-pin Plug (IEC C13 / CEE22) x1, HDMI Cable (v2.0; Male-Male) x1, DisplayPort Cable (v1.4; Male-Male) x1, USB Type-C Cable (Male-Male) x1, USB A/B Cable (v3.2; Male-Male) x1, AC/DC Adapter x1, Quick Start Guide x1
Recycle/Disposal:	Please dispose of in accordance with local, state or federal laws.
Warranty:	*Warranty offered may differ from market to market
Power Management:	Energy Star standards