

# CL Pro 2

## Two all-in-one uses - Digital Signage and Meeting Room Commercial Display

With built-in digital signage for seamless content management and real-time alerts, and screen-sharing capabilities for enhanced meeting collaboration, the CL Pro 2 is the ultimate all-in-one display solution.

Available in a range of sizes 43" 4K | 55" 4K | 65" 4K | 75" 4K | 86" 4K | 98" 4K



# Key Features



**Discreet border to showcase your content**  
Slimline bezel from 9.9mm



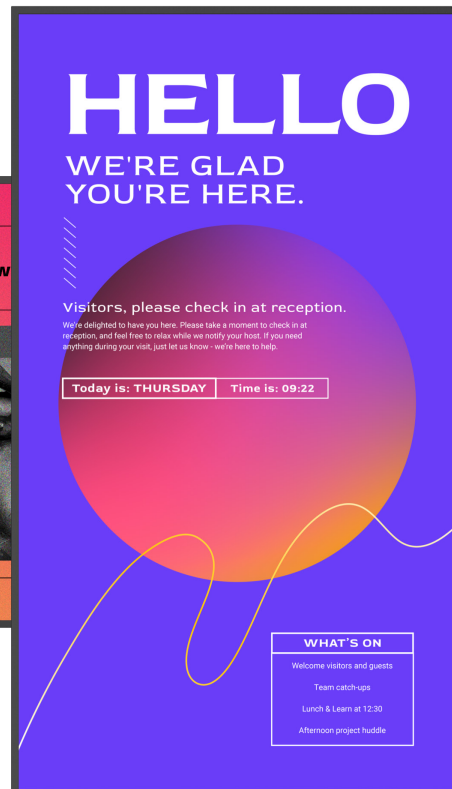
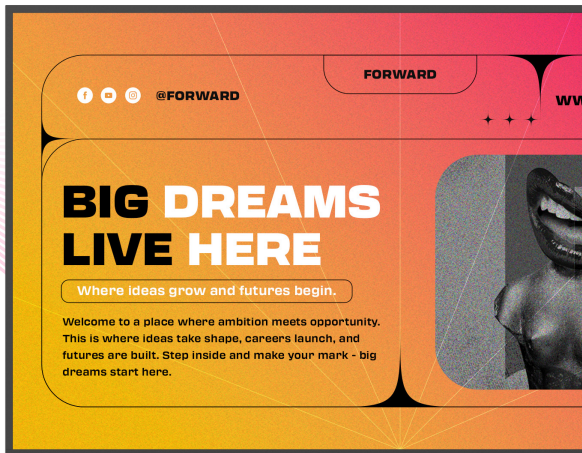
**Screen Sustainability Scheduling**  
for reduced power consumption



**Dual Display Orientation**  
Landscape or Portrait to suit your environment.



**Warranty**  
Up to 5-Year Warranty



## Software Included



Any device can download the CleverShare app and connect instantly by typing in the code on the CL Pro 2 screen. Compatible with Android, Windows, iOS, and Chrome devices.

[Learn More](#)



CleverLive is a digital signage cloud management platform that enables the creation, deployment, and management of content deployed across one or multiple displays, which is compatible with any device.

[Learn More](#)









Your IT team can control, update and troubleshoot a fleet of CleverLive displays and media players without entering the classroom, ensuring your teachers always have the latest versions of apps and software when teaching.

[Learn More](#)



# Features

						
Ultra HD Resolution	MDM Built-in Management Control	QR Code interactive functionality	Capable of full, multi zoned digital signage, no additional media player required	One Touch Messaging & Broadcasting	Screen Sustainability Scheduling Power Management	Wi-Fi 6E
						
Screen share up to 9	Up to 5-Year Warranty	500 cd/m² vibrant brightness	Android 14 Technology	24/7 Operation	OTA Updates & Cloud Accounts	LUX 14

## A flexible and versatile display for every industry

From boardrooms and classrooms to retail spaces and hospitality venues, the CL Pro 2 is engineered to deliver outstanding performance in any environment.

					
Enterprise	Education / Higher Ed	Retail	Hospitality	Healthcare	Military / Security

## Upgrade your solution



Add an OPS or CleverCam to create a video conferencing environment.



# Digital Signage with CL Pro 2

powered by  
**CLEVER**® **LIVE**

One of the only screens with built-in signage, no extra hardware and no subscriptions! Two ways to display digital content!

Already got great content?  
Use CleverLive Playlists!

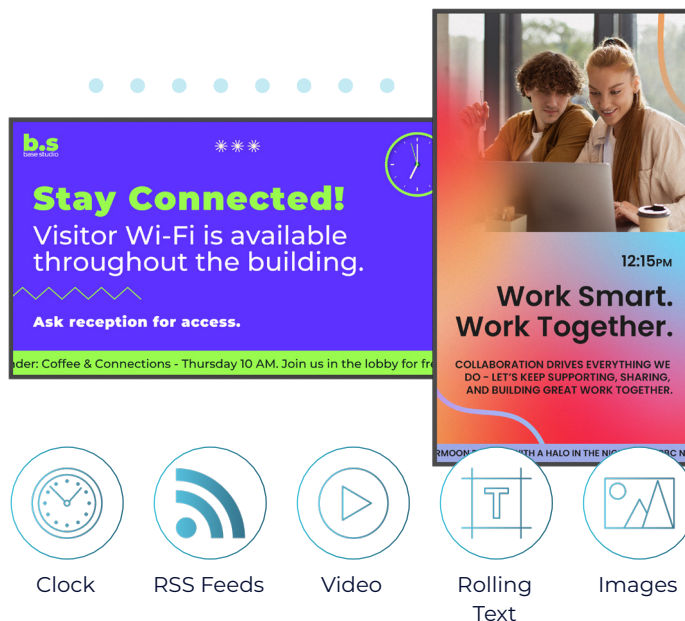


Full screen PDF

Full screen image

Full screen video

Want to create your own content?  
Use CleverLive Multizone!



Stay Connected!  
Visitor Wi-Fi is available throughout the building.  
Ask reception for access.

12:15PM  
Work Smart.  
Work Together.  
COLLABORATION DRIVES EVERYTHING WE DO - LET'S KEEP SUPPORTING, SHARING, AND BUILDING GREAT WORK TOGETHER.

Clock   RSS Feeds   Video   Rolling Text   Images



# Meetings with CL Pro 2

with the help of



The CL Pro 2 makes every meeting smoother and more collaborative. Present instantly from your phone, tablet, or laptop with multiple options including for those high-secure environments, and let multiple people share their screens simultaneously for group discussion. When the meeting ends, the display switches effortlessly back to digital signage, keeping your workspace updated with announcements, branding, or live information throughout the day.

Want to present from your own device?

## Use Clevershare!



**Clevershare App** for any internet-connected phone, tablet or laptop



**CleverCast USB-C Wireless Sharing Dongle** no need to download / up to 9 can share / includes hardware virtualisation



**Wired Cable HDMI / USB / USB-C**

## How does it work?

Hardware Virtualisation: Your Meeting, Your Way  
Unleash your creativity; collaborate and share in real time



**Start the meeting**  
from your laptop



**Connect to Clevershare** with one-tap



**Connect automatically to room devices**

(Interactive or commercial displays, soundbars, cameras, microphones, speakers and more)



# CL Pro 2 Specifications

## Display

Screen size	43", 55", 65", 75", 86", 98" - 4K
Screen type	43", 55", 65", 75" VA - Direct LED Backlight 86", 98" IPS - Direct LED Backlight
Aspect Ratio	16:9
Display Colours	1.07 Billion (10 bit)
Resolution	4K UHD (3840x2160 @60Hz)
Response Time	43", 55" 6.5ms 65", 75", 86", 98": 8ms
Refresh Rate	60Hz
LCD Viewing Angle	178°
Brightness	500 cd/m2
Contrast Ratio	43" 4000:1 55", 65", 75" 5000:1 86", 98" 1200:1
DC Dimming (for Flicker Free)	Yes
Main Board	9681
Life of Screen	50,000 Hours
NTSC	72%

## Connectivity

OPS Slot	43", 55" No 65", 75", 86", 98" Yes
HDMI-In	43", 55" 2 65", 75", 86", 98" 3
HDMI-Out	x1
USB-A 2.0	x1
USB A 3.2 Gen 1	x1
USB C (Video, Audio & Touch)	1 x USB Side Type C with video, audio, 65W PD and network sharing
LAN In (RJ45)	x1
LAN OUT	43", 55" No 65", 75", 86", 98" Yes
RS-232	x1
Wake-on-Lan	Yes
WirelessAdapter 2.0 + WAP	Yes
Clevertouch Wi-Fi Module	Yes
Bluetooth	5.0
Optical Out	x1
Headphone	1(3.5mm)
Gyroscope	Yes
Auto-rotate	Yes
Wi-Fi	IEEE 802.11a/b/g/n/ac/ax with 2 x 2 MIMO (hotspot only) (both 2.4 and 5 GHz bands)
Wi-Fi Generation	Wi-Fi 6E
Wi-Fi Speed	Capable of speeds up to 1Gbps

## Audio

Dual Front Facing, Bass Enhanced Speakers	2 x 16W
SPDIF / Fibre	Yes
Sound Channel	2.0

## Computing

Operating System	Android 14
System Version	LUX 14
RAM	4GB
Internal Storage	32GB
CPU	Quad Core A73
GPU	Mali G57 MC1
Android Resolution	4K
System Architecture	64B

## Power

Power Requirements	43": 100-240V~ 50/60Hz 2.5A 55": 100-240V~ 50/60Hz 3.0A 65": 100-240V~ 50/60Hz 3.5A 75": 100-240V~ 50/60Hz 4.5A 86": 100-240V~ 50/60Hz 5.0A 98": 100-240V~ 50/60Hz 5.5A
Power Consumption (Normal)	43": 55.72W 55": 72.24W 65": 80.29W 75": 107.54W 86": 168.3W 98": 164.22W
Power Consumption (Standby)	≤0.5W
Ultra Quiet Fanless Design	Yes

## Operating and Storage Environment

Operating Temperature	0° to 40°
Storage Temperature	-20° to 60°
Operating Humidity	10% to 90% RH
Storage Humidity	10% to 90% RH
Altitude	Below 5000 metres

## Software & Features

OpenSDK Support	Yes
Intelligent O&M	Yes
H.264 + H.265	Yes
HD Hardware Encoding and Decoding	Yes
CleverLive™ Embedded Digital Signage	Yes
Clevershare™ Mirroring Any Device To The Board	Yes
Miracast (Wi-Fi Direct)	Yes
AirPlay	Yes
Chromecast	Yes
CleverLive Rooms™ Embedded Room Booking	Yes
Alerts and Announcements	Yes
Over-the-Air Updates	Yes
Remote Management Of Touchscreens (MDM)	Yes

# CL Pro 2 Specifications

## Physical Spec

<b>Panel Dimensions</b>	<b>43"</b> 964.6 x 552.5 x 71.4mm <b>55"</b> 1233 x 703.5 x 71.4mm <b>65"</b> 1463.3 x 838.3 x 76.4mm <b>75"</b> 1685.6 x 963.7 x 81.6mm <b>86"</b> 1930.8 x 1101.8 x 81.6mm <b>98"</b> 2212.9 x 1268.4 x 79.4mm
<b>Packed Dimensions</b>	<b>43"</b> 1056 x 672 x 156mm <b>55"</b> 1332 x 819 x 156mm <b>65"</b> 1628 x 942 x 208mm <b>75"</b> 1863 x 1090 x 225mm <b>98"</b> 2360 x 1425 x 280mm <b>86"</b> 2110 x 1227 x 225mm
<b>Bezel Sizes</b>	<b>43", 55"</b> 9.9mm <b>65", 75", 86"</b> 15.9mm <b>98"</b> 25mm
<b>Net Weight</b>	<b>43"</b> 9.90kg <b>55"</b> 13.40kg <b>65"</b> 25.4kg <b>75"</b> 34.65kg <b>86"</b> 43.15kg <b>98"</b> 69.90kg
<b>Packed Weight</b>	<b>43"</b> 13.85kg <b>55"</b> 19.50kg <b>65"</b> 33.25kg <b>75"</b> 48.15kg <b>86"</b> 60.75kg <b>98"</b> 90.80kg
<b>VESA Mount Point</b>	<b>43"</b> 200 x 200mm <b>55"</b> 400 x 200mm <b>65"</b> 600 x 400mm <b>75", 86", 98"</b> 800 x 600mm
<b>Screws for VESA</b>	<b>43", 55"</b> M6 x 12mm <b>65", 75", 86", 98"</b> M8 x 25mm

## Inside your Clevertouch Box

<b>What's In The Box</b>	<ul style="list-style-type: none"> <li>(1) CL Pro 2 Commercial Display</li> <li>(1) Regional Power Cable</li> <li>(1) HDMI Cable</li> <li>(1) Remote Control</li> <li>(1) Batteries for Remote Control</li> <li>(1) Clevertouch Wi-Fi Module</li> <li>(1) Quick Install Guide</li> </ul>
--------------------------	--

## Installation

The installation of this product should be completed by a qualified installer. Use of components not supplied by Clevertouch or not meeting minimum specifications may impact performance, safety and warranty. For more information, visit [clevertouch.com](http://clevertouch.com)

## Support

For all Clevertouch products, visit: [support.clevertouch.com](http://support.clevertouch.com)

## Warranty

Warranty term and upgrade options vary by region. Contact your local reseller or distributor for information and visit [clevertouch.com/about/warranty](http://clevertouch.com/about/warranty)

## Compliance & Certification

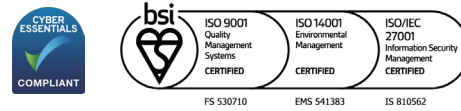
### Regulatory Certification

CE, FCC, UL, Energy Star & EEC



## Our commitment to the Environment, Quality and Security

Cyber Essentials and BSI ISO9001, ISO14001, ISO27001 Certifications.

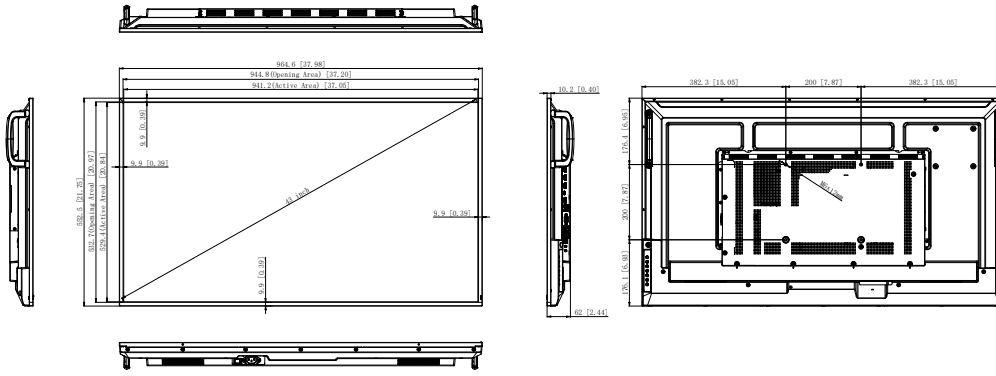


## Nato Codification

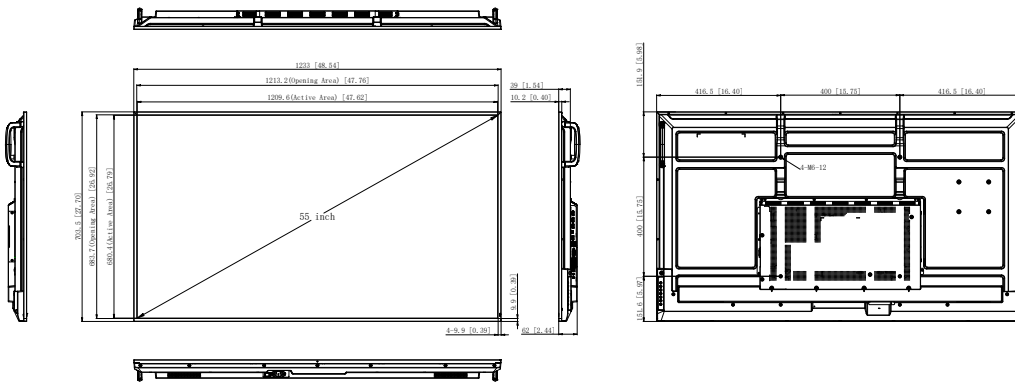
Product	Product Code	NSN (Nato-Stock Numbers)
<b>CL Pro 2 98"</b>	1291305	7025-994768161

# CL Pro 2 Specifications

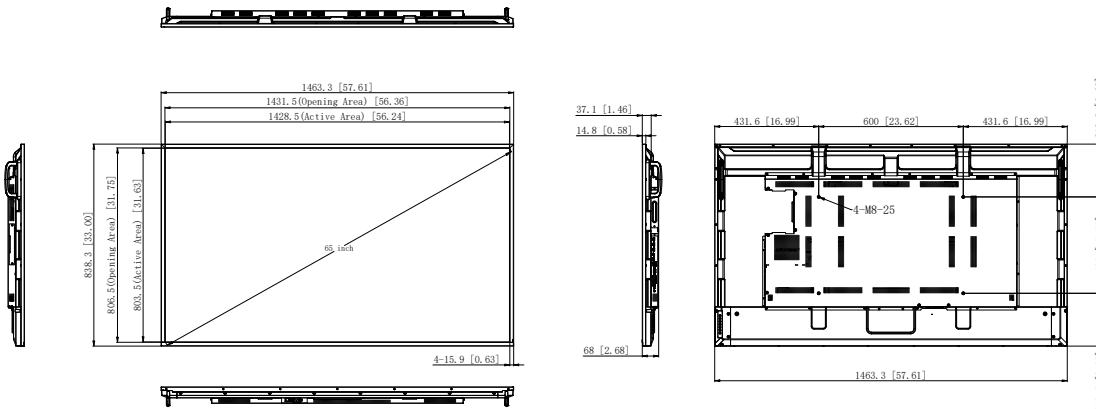
43"



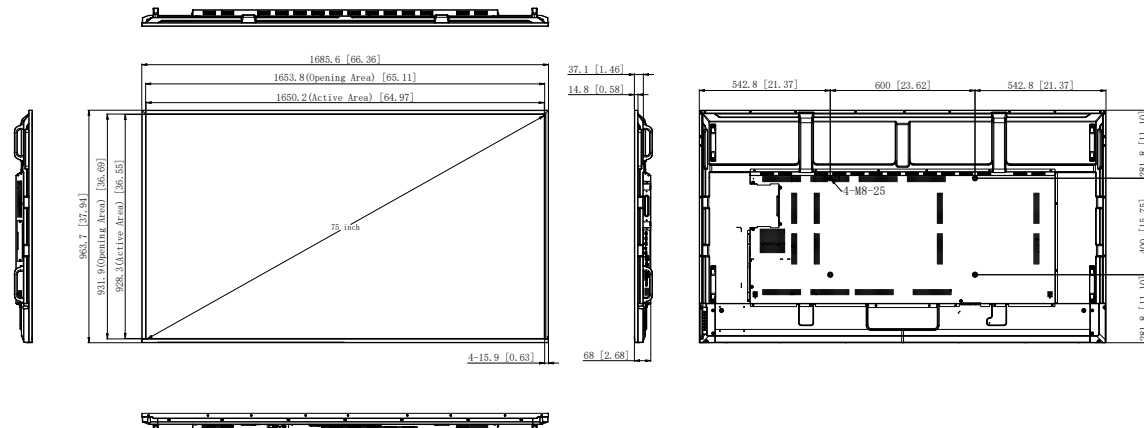
55"



65"

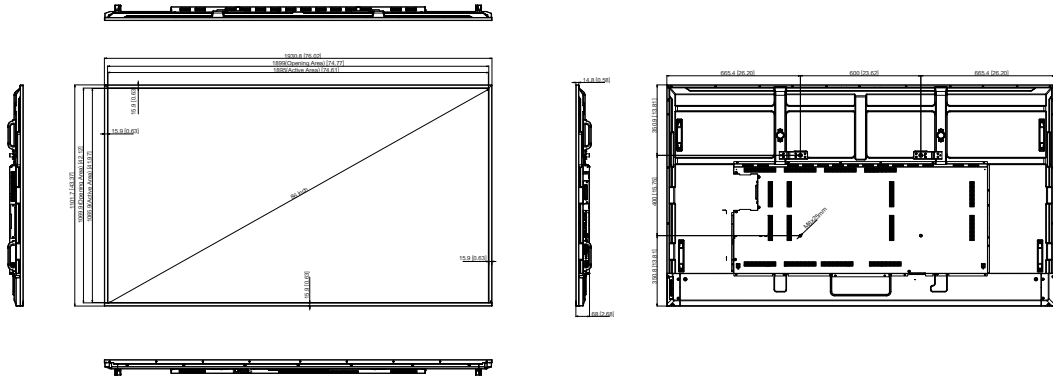


75"

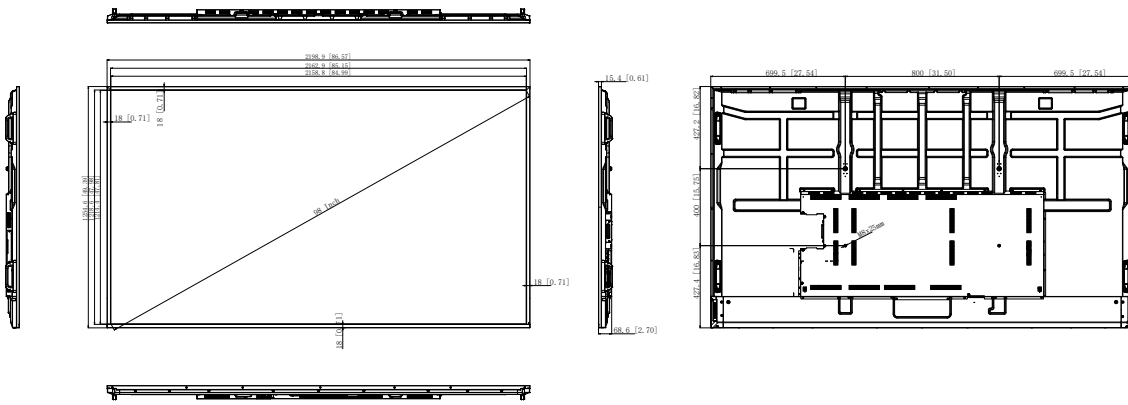


# CL Pro Specifications

86"



98"



## Statement

Size and weight vary by configuration and manufacturing process, please refer to the actual product. The product images are for illustrative purposes only and may slightly differ in appearance, colour, size, etc. from the actual product. The description, illustrations, etc. in this document may be subject to change in accordance with the latest product specification and performance. Should the above-mentioned change in the document become necessary, the document may be updated without written notice.

© 2025 Clevertouch. All rights reserved. Sahara Presentations Systems Ltd is part of the Boxlight group of companies, and the owner of trademarks in several global jurisdictions including but not limited to Clevertouch, the Clevertouch logo, UX Pro, IMPACT™, IMPACT Plus™, Impact MAX, CleverLive, LUX, LYNX Whiteboard, X5, CleverMessage, CleverLiveStore, CleverShare, CleverLiveRooms, CleverMDM, CL Totem, CL Touch Totem, CL Pro, CM Pro and CM Totem. All third-party trademarks (including logos and icons) referenced by Clevertouch remain the property of their respective owners. Unless specifically identified as such, Clevertouch's use of third-party trademarks does not indicate any relationship, sponsorship, or endorsement between Clevertouch and the owners of these trademarks. Applicable Terms and Conditions for warranty and support available at [clevertouch.com/about/warranty](https://clevertouch.com/about/warranty). All weights and dimensions are approximate. Product specifications are subject to change without notice. [Clevertouch.com](https://clevertouch.com).